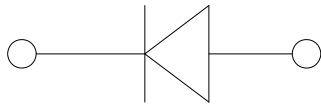
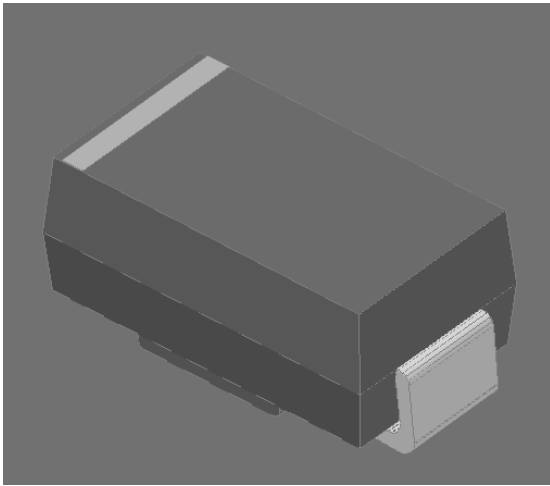




66 \$4 7+58 66 \$4

RoHS COMPLIANT

6XUIDFH 0RXQW 6FKRWWN\ 5HFWLIL



)HDWXUHV
 "/RZ SURILOH SDFNDJH
 " ,GHDO IRUWDXGWSRDFPHQW
 " *XDUGULQJ IRU RYHUYROWDJH SURWHFWLRQ
 " /RZ SRZHU ORVVHV KLJK HILFLHQF\
 " +LJK IRUZDUG VXUJH FDSDELOLW\
 " 0HHWV 06/ OHYHO SHU - 67' /) PD[LXP
 RI f&
 " 3DUW QR ZLWKHQVLS(\$ 4 TXDOLILHG

7\SLFDO \$\$\$OLFDFWLRQV
)RU XVH LQ ORZ YROWDJH KLJK IUHTXHQF\
 IUHHZKHHOLQJ '&U'& FRXQVHURWLYH DQG SR
 SURWHFWLRQ DSSOLFDFWLRQV

0HFKDQLFDO 'DWD
 " 3DFNDJH \$& 60\$
 0ROGLQJ FRPSRQG PHHWDPPDELOLW\
 UDWLQJ 5R+6 FRPSOLDQW KDORJHQ IUHH
 " 7HUPLOLQVSODWHG OHGTV VROGHUDEOH S
 - 67' DQG -(6' %
 " 3RODLDWKRGH OLQWKGHRWKIRGH HQG

V0D[LPXP 5DWLQJ 8QOHVV RWKHU\LVH VSHFLILHG

3\$5\$0(7(5	6<0%2/	81,7	66 \$4	66 \$4
'HYLFH PDUNLQJ FRGH			66 \$	66 \$
5HSHWLWLYH SHDN UHYHUVH YROWDJH 9 ₅₅₀		9		
0D[LPXP 506 YROWDJH	9 ₅₀₆	9		
0D[LPXP '& EORFNLQJ YROWDJH	9&	9		
0D[LPXP DYHUDJH IRUZDUG UHFWLILHG FXUUHQW DW 7			\$	
6XUJH QRQ UHSHWLWLYH IRUZDUG FXUUHQW # +] KDOI VLQH ZDYH - F\FOH 7		\$		
9ROWDJH UDWLH R ₅ FKDQJH UDWHG 9	G9 GW	9	V	
6WRUDJH WHPHUDWXUH	7 _{VWJ}	-		a
-XQFWLRQ WHPHUDWXUH	7.	-		a

V(OHFWULFDO & K\UDFWHQLVFRWKHU\LVH VSHFLILHG

3\$5\$0(7(5	6<0%2/	7(67 & 21', 7, 216	7<3	0\$;	81,7
,QVWDQWDQHRXV IRUZDUG YROWDJH , \$		7. -			9
5HYHUVH FXUUHQW	5	5DWHG 9	7. -		\$
7\SLFDO MXQFWLRQ FDSLWDFH		5 9 I & 0+]	9		S)



66 \$4 7+58 66 \$4

V2XWOLQH 'LPHQVLRQV

66 \$4 7+58 66 \$4
